

Paper towel dispenser



- Stainless steel paper towel dispenser.
- Wall mounted.
- Frontal cover for an easy paper refilling.
- Designed for folded paper towels "C" or "Z".
- Durability and resistance against rust and corrosion.
- White epoxy-polyester painted steel. Also available polish finished stainless steel (NOFER 04005.B) and satin finished stainless steel (NOFER 04005.S).
- Level viewer.
- Safety closure with pin tumbler lock.

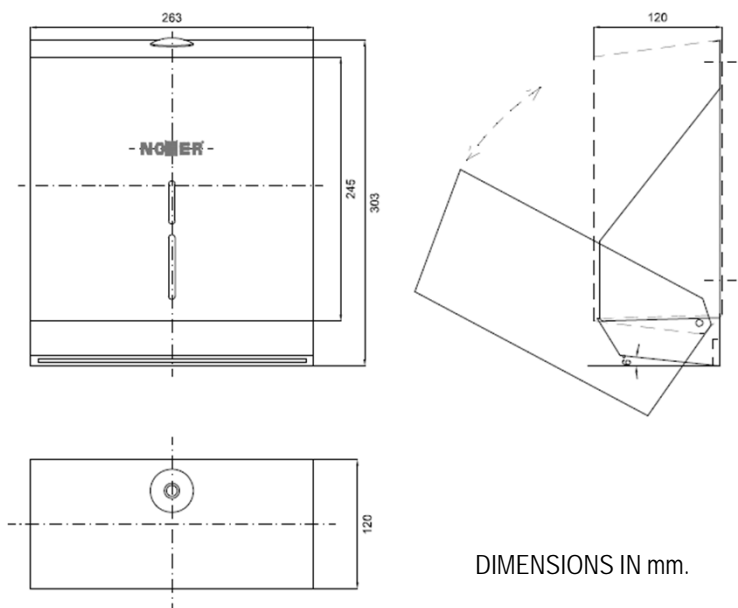
TECHNICAL DETAILS

- Made of white epoxy-polyester painted steel.
- Dimensions: 303 height x 263 width x 120 depth (mm).
- Consumable: NOFER 06009.E.
- Capacity: 450 uses.
- Weight: 1,9 Kg.
- Maintenance: stainless steel needs maintenance because dust can eventually damage the chrome in stainless steel. We recommend monthly cleaning with our special product.

SUGGESTED TEXT FOR PRESCRIPTION

NOFER white epoxy-polyester painted steel paper towel dispenser. Wall mounted. Designed for folded paper towels "C" or "Z", with level viewer and security pin tumbler lock. Dimensions: 303 height x 263 width x 120 depth (mm).

TECHNICAL DRAWING



NOFER S.L.
 Avenida de la fama, 118
 08940 · Cornellà de Llobregat (Barcelona)
 Tel +34 934 742 423 · Fax +34 934 743 548
 export@nofer.com · www.nofer.com

Related Products

